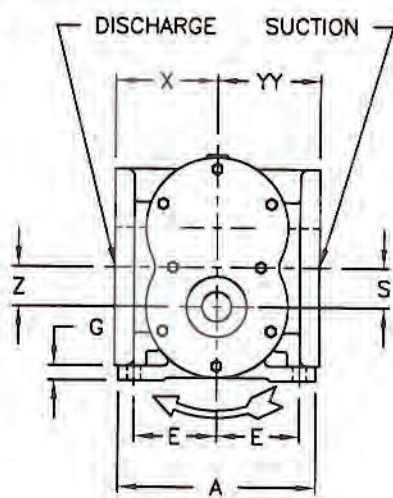
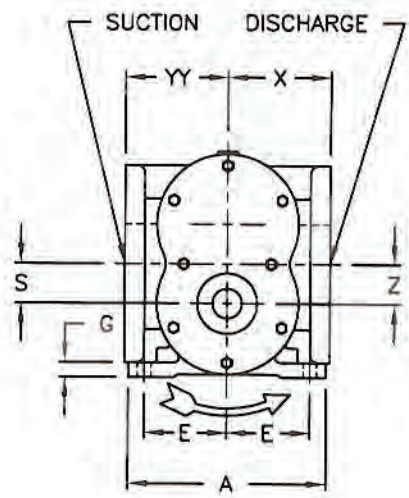


VIEW A-A
LEFT HAND
ROTATION

VIEW A-A
RIGHT HAND
ROTATION

LOWER DRIVE



VIEW A-A
LEFT HAND
ROTATION

VIEW A-A
RIGHT HAND
ROTATION

NOTES:

1. All dimensions are in inches (mm).
2. Dimensions may vary $\pm .25"$ (6).
3. Not for construction purposes unless certified.
4. Discharge and suction ports are:
300# ANSI FLANGES
5. Use the following notation for pump identification:
UR = UPPER SHAFT - RIGHT HAND ROTATION
UL = UPPER SHAFT - LEFT HAND ROTATION
LR = LOWER SHAFT - RIGHT HAND ROTATION
LL = LOWER SHAFT - LEFT HAND ROTATION

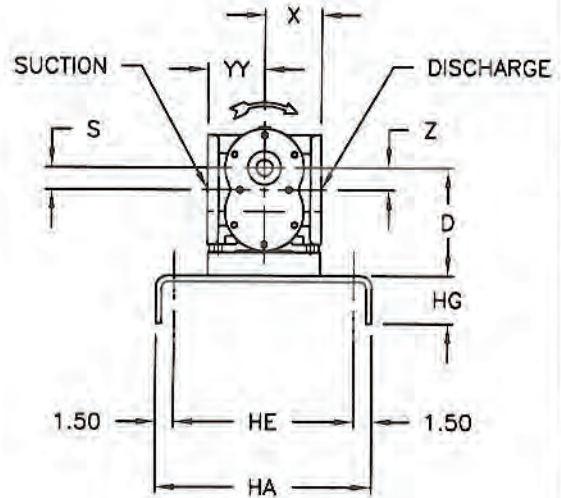
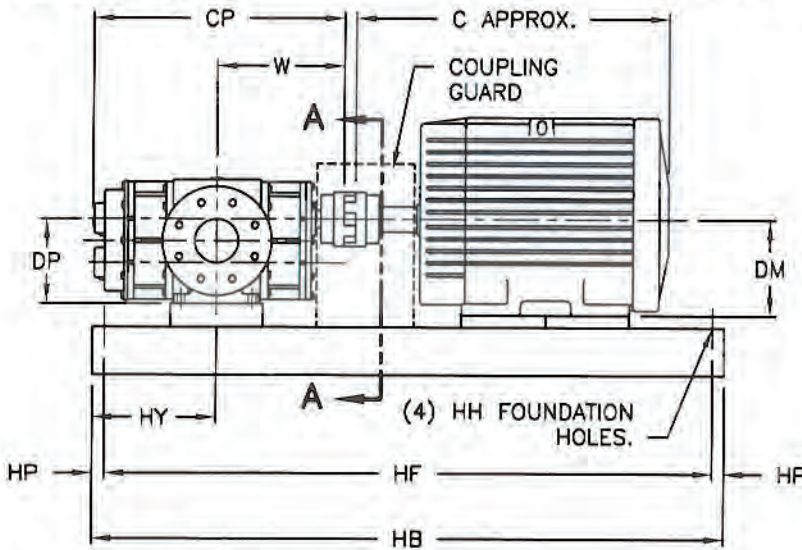
MODEL	DISCHARGE	SUCTION	A	B	CP	DL	DP	E	G	H
400-112	4" 300# FLG	4" 300# FLG	10.00 (254)	7.75 (197)	22.44 (570)	3.72 (94)	7.75 (197)	4.19 (106)	.75 (19)	.69 (18)

MODEL	O	R	S	U	V	W	X	YY	Z
400-112	11.47 (291)	3.25 (83)	2.00 (51)	1.50 (38)	2.20 (56)	11.19 (284)	5.19 (132)	5.19 (132)	2.00 (51)

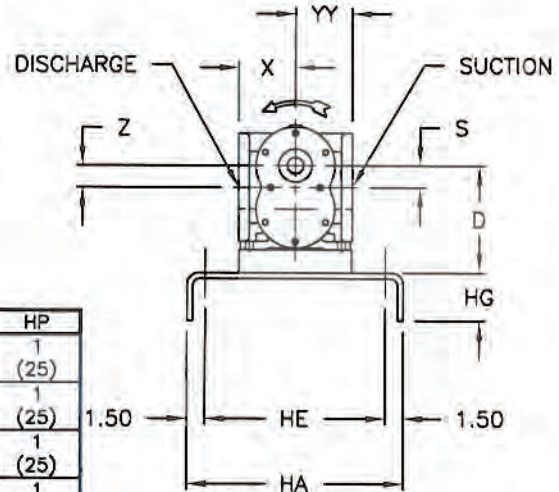
SECTION 400 PAGE 204 — EDWARDS MODEL 400-112 PUMPS

DATED APRIL 2009
 SUPERSEDES PAGE 204
 DATED MAY 2005

ROTARY GEAR PUMPS
 ELECTRIC MOTOR DRIVEN ON STANDARD STEEL BASE
 UPPER DRIVE



VIEW A-A
 RIGHT HAND
 ROTATION



VIEW A-A
 LEFT HAND
 ROTATION

NOTES:

1. All dimensions are in inches (mm).
2. Dimensions may vary $\pm .25"$ (6).
3. Not for construction purposes unless certified.
4. Coupling gap may vary .13"(3) to 2.06"(52).
5. Motor dimension "CP" is approximate. Motor dimensions are not specified as they vary with each motor manufacturer.
6. Discharge and suction ports are:
 300# ANSI FLANGES
7. Use the following notation for pump identification:
 UR = UPPER SHAFT - RIGHT HAND ROTATION
 UL = UPPER SHAFT - LEFT HAND ROTATION

BASE NO.	SIZE	HA	HB	HE	HF	HG	HH	HP
6	15 X 48	15	48	12	46	3.38	.75	1
		(381)	(1219)	(305)	(1168)	(86)	(19)	(25)
8	18 X 54	18	54	15	52	4	.75	1
		(457)	(1372)	(381)	(1321)	(102)	(19)	(25)
9	22 X 60	22	60	19	58	4	.75	1
		(559)	(1524)	(483)	(1473)	(102)	(19)	(25)
10	22 X 72	22	72	19	70	4	.75	1
		(559)	(1829)	(483)	(1778)	(102)	(19)	(25)

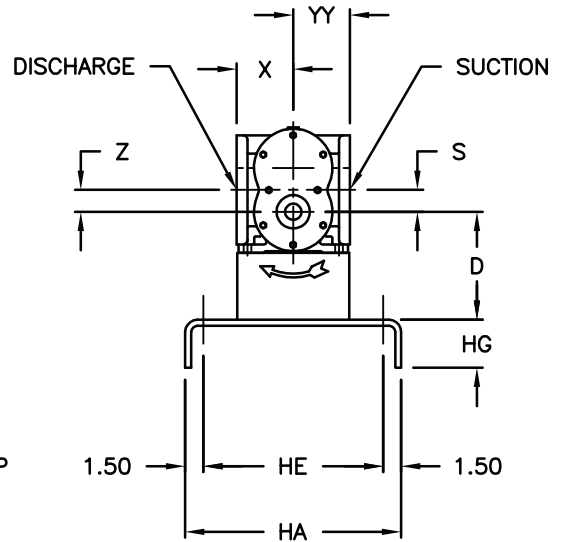
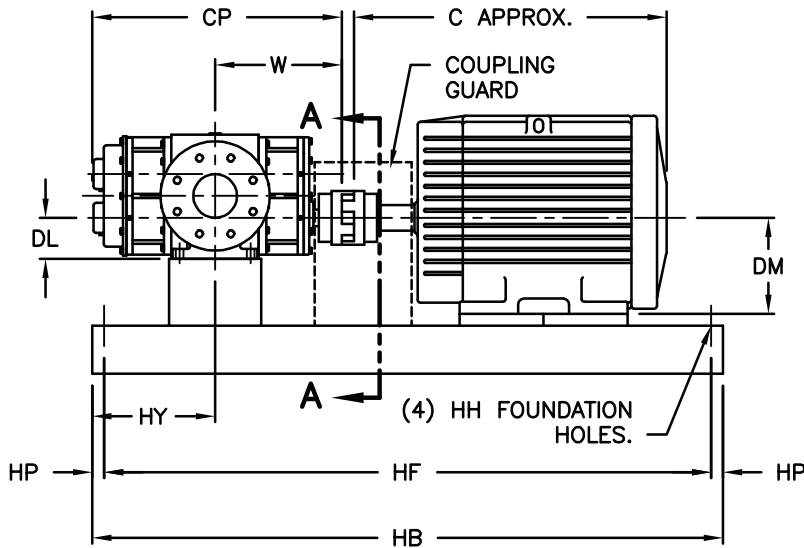
MODEL	FRAME	254T	256T	284TS	284T	286TS	286T	324TS	324T	326TS	326T	
	C	21 (533)	23 (584)	22 (559)	24 (610)	24 (610)	25 (635)	25 (635)	25 (635)	26 (660)	26 (660)	28 (711)
	DM	6.25 (159)	6.25 (159)	7.00 (178)	7.00 (178)	7.00 (178)	7.00 (178)	8.00 (203)	8.00 (203)	8.00 (203)	8.00 (203)	8.00 (203)
400-112	BASE NO.	6	6	8	8	8	8	8	8	8	8	
	D	8.00 (203)	8.00 (203)	8.00 (203)	8.00 (203)	8.00 (203)	8.00 (203)	8.00 (203)	8.00 (203)	8.00 (203)	8.00 (203)	

MODEL	FRAME	364TS	364T	365TS	365T	404TS	404T	405TS	405T	444TS	444T	
	C	27 (686)	29 (737)	28 (711)	30 (762)	30 (762)	33 (838)	33 (838)	33 (838)	33 (838)	30 (762)	33 (838)
	DM	9.00 (229)	9.00 (229)	9.00 (229)	9.00 (229)	10.00 (254)	10.00 (254)	10.00 (254)	10.00 (254)	10.00 (254)	10.00 (254)	10.00 (254)
400-112	BASE NO.	9	9	9	9	9	9	9	9	10	10	
	D	9.00 (229)	9.00 (229)	9.00 (229)	9.00 (229)	10.00 (254)	10.00 (254)	10.00 (254)	10.00 (254)	11.00 (279)	11.00 (279)	

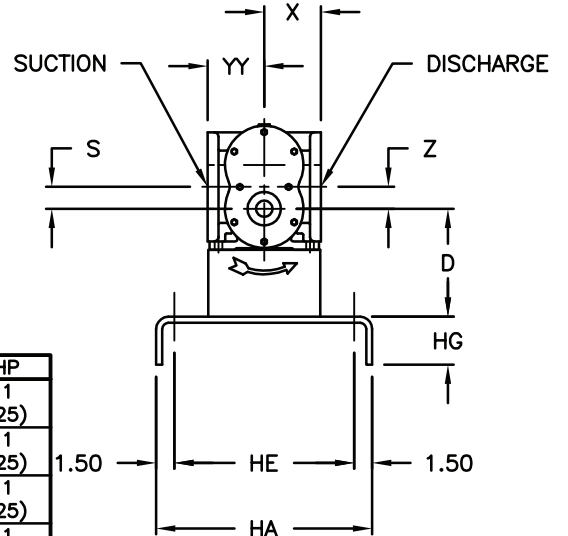
MODEL	DISCHARGE	SUCTION	CP	DP	HY	S	W	X	YY	Z
400-112	4"	4"	22.44	7.75	12.50	2.00	11.19	5.19	5.19	2.00
	300# FLG	300# FLG	(570)	(197)	(318)	(51)	(284)	(132)	(132)	(51)

ROTARY GEAR PUMPS
ELECTRIC MOTOR DRIVEN ON STANDARD STEEL BASE
LOWER DRIVE

DATED JUNE 2011
SUPERSEDES PAGE 204.1
DATED APRIL 2009



VIEW A-A
RIGHT HAND
ROTATION



VIEW A-A
LEFT HAND
ROTATION

- NOTES:
- All dimensions are in inches (mm).
 - Dimensions may vary $\pm .25"$ (6).
 - Not for construction purposes unless certified.
 - Coupling gap may vary $.13"$ (3) to $2.06"$ (52).
 - Motor dimension "CP" is approximate. Motor dimensions are not specified as they vary with each motor manufacturer.
 - Discharge and suction ports are:
300# ANSI FLANGES
 - Use the following notation for pump identification:
LR = LOWER SHAFT - RIGHT HAND ROTATION
LL = LOWER SHAFT - LEFT HAND ROTATION

BASE NO.	SIZE	HA	HB	HE	HF	HG	HH	HP
6	15 X 48	15 (381)	48 (1219)	12 (305)	46 (1168)	3.38 (86)	.75 (19)	1 (25)
8	18 X 54	18 (457)	54 (1372)	15 (381)	52 (1321)	4 (102)	.75 (19)	1 (25)
9	22 X 60	22 (559)	60 (1524)	19 (483)	58 (1473)	4 (102)	.75 (19)	1 (25)
10	22 X 72	22 (559)	72 (1829)	19 (483)	70 (1778)	4 (102)	.75 (19)	1 (25)

MODEL	FRAME	254T	256T	284TS	284T	286TS	286T	324TS	324T	326TS	326T
	C	21 (533)	23 (584)	22 (559)	24 (610)	24 (610)	25 (635)	25 (635)	26 (660)	26 (660)	26 (660)
	DM	6.25 (159)	6.25 (159)	7.00 (178)	7.00 (178)	7.00 (178)	7.00 (178)	8.00 (203)	8.00 (203)	8.00 (203)	8.00 (203)
400-112	BASE NO.	6	6	8	8	8	8	8	8	8	8
	D	6.25 (159)	6.25 (159)	7.00 (178)	7.00 (178)	7.00 (178)	7.00 (178)	8.00 (203)	8.00 (203)	8.00 (203)	8.00 (203)

MODEL	FRAME	364TS	364T	365TS	365T	404TS	404T	405TS	405T	444TS	444T
	C	27 (686)	29 (737)	28 (711)	30 (762)	30 (762)	33 (838)	33 (838)	30 (762)	33 (838)	30 (762)
	DM	9.00 (229)	9.00 (229)	9.00 (229)	9.00 (229)	10.00 (254)	10.00 (254)	10.00 (254)	10.00 (254)	11.00 (279)	11.00 (279)
400-112	BASE NO.	9	9	9	9	9	9	9	9	10	10
	D	9.00 (229)	9.00 (229)	9.00 (229)	9.00 (229)	10.00 (254)	10.00 (254)	10.00 (254)	10.00 (254)	11.00 (279)	11.00 (279)

MODEL	DISCHARGE	SUCTION	CP	DL	HY	S	W	X	YY	Z
400-112	4" 300# FLG	4" 300# FLG	22.44 (570)	3.72 (94)	12.50 (318)	2.00 (51)	11.19 (284)	5.19 (132)	5.19 (132)	2.00 (51)

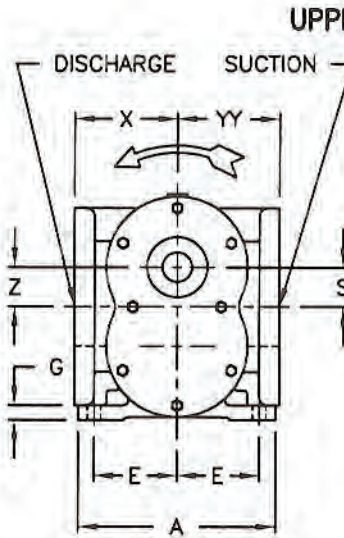
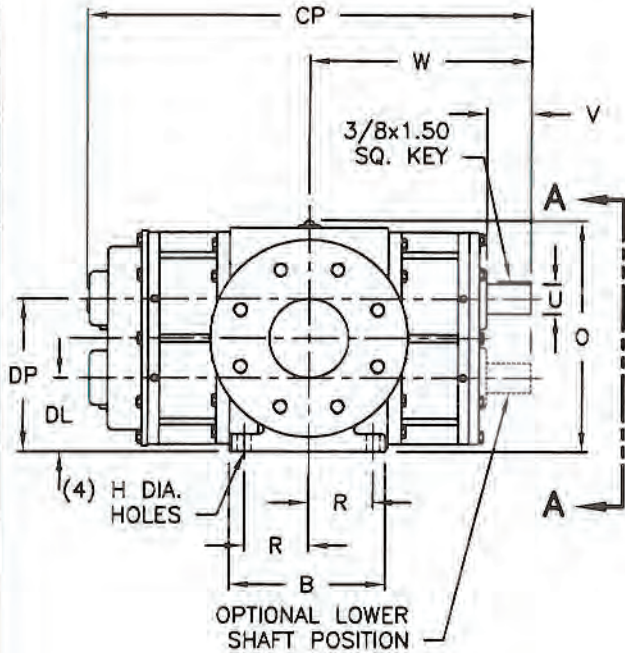


PENTAIR

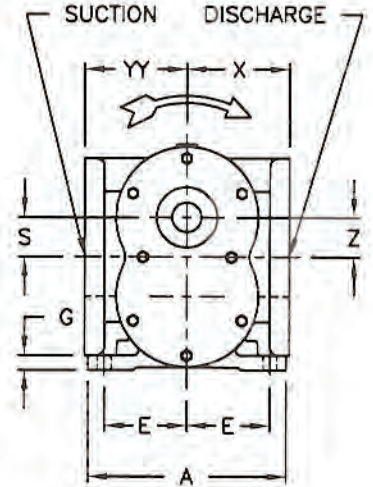
AURORA® EDWARDS SERIES

ROTARY GEAR PUMPS
PUMP ONLY

DATED APRIL 2009
SUPERSEDES PAGE 205
DATED MAY 2005

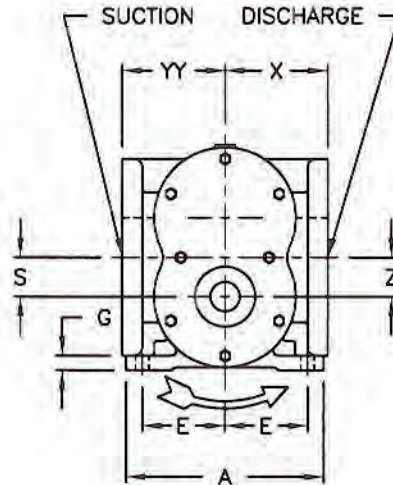


VIEW A-A
LEFT HAND
ROTATION

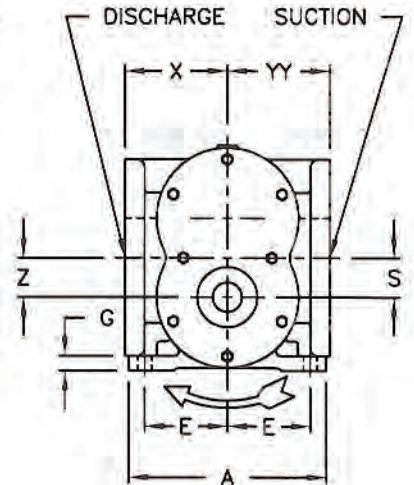


VIEW A-A
RIGHT HAND
ROTATION

LOWER DRIVE



VIEW A-A
LEFT HAND
ROTATION



VIEW A-A
RIGHT HAND
ROTATION

NOTES:

- All dimensions are in inches (mm).
- Dimensions may vary $\pm .25"$ (6).
- Not for construction purposes unless certified.
- Discharge and suction ports are:
300# ANSI FLANGES
- Use the following notation for pump identification:
UR = UPPER SHAFT - RIGHT HAND ROTATION
UL = UPPER SHAFT - LEFT HAND ROTATION
LR = LOWER SHAFT - RIGHT HAND ROTATION
LL = LOWER SHAFT - LEFT HAND ROTATION

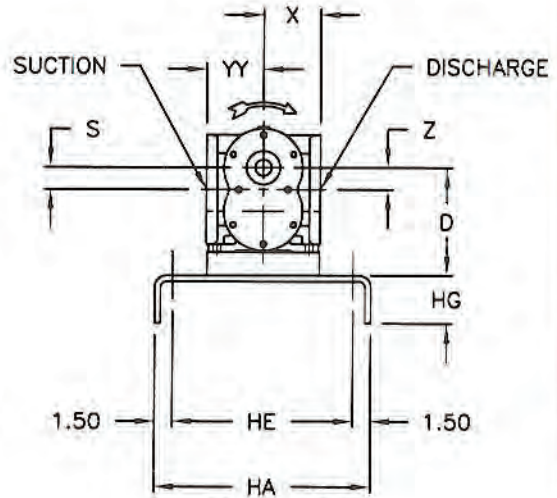
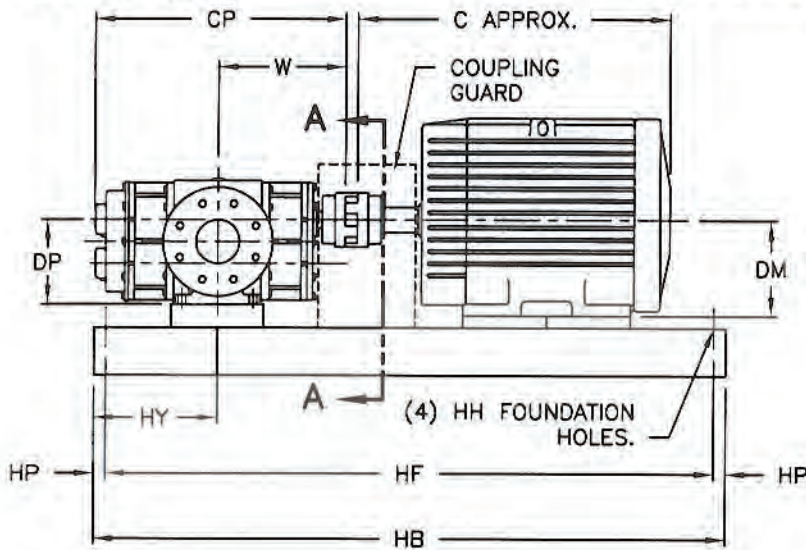
MODEL	DISCHARGE	SUCTION	A	B	CP	DL	DP	E	G	H
400-128	4" 300# FLG	4" 300# FLG	10.00 (254)	7.75 (197)	23.44 (595)	3.72 (94)	7.75 (197)	4.19 (106)	.75 (19)	.69 (18)

MODEL	O	R	S	U	V	W	X	YY	Z
400-128	11.47 (291)	3.25 (83)	2.00 (51)	1.50 (38)	2.20 (56)	11.69 (297)	5.19 (132)	5.19 (132)	2.00 (51)

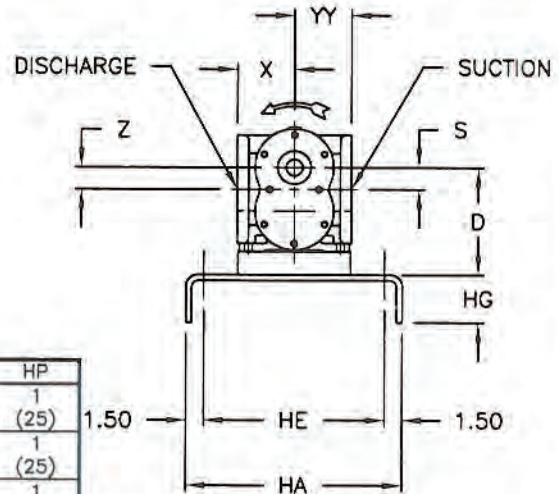
SECTION 400 PAGE 206 — EDWARDS MODEL 400-128 PUMPS

DATED APRIL 2009
 SUPERSEDES PAGE 206
 DATED MAY 2005

ROTARY GEAR PUMPS
 ELECTRIC MOTOR DRIVEN ON STANDARD STEEL BASE
 UPPER DRIVE



VIEW A-A
 RIGHT HAND
 ROTATION



VIEW A-A
 LEFT HAND
 ROTATION

NOTES:

- All dimensions are in inches (mm).
- Dimensions may vary $\pm .25"$ (6).
- Not for construction purposes unless certified.
- Coupling gap may vary .13"(3) to 2.06"(52).
- Motor dimension "CP" is approximate. Motor dimensions are not specified as they vary with each motor manufacturer.
- Discharge and suction ports are:
300# ANSI FLANGES
- Use the following notation for pump identification:
UR = UPPER SHAFT - RIGHT HAND ROTATION
UL = UPPER SHAFT - LEFT HAND ROTATION

BASE NO.	SIZE	HA	HB	HE	HF	HG	HH	HP
8	18 X 54	18	54	15	52	4	.75	1
		(457)	(1372)	(381)	(1321)	(102)	(19)	(25)
9	22 X 60	22	60	19	58	4	.75	1
		(559)	(1524)	(483)	(1473)	(102)	(19)	(25)
10	22 X 72	22	72	19	70	4	.75	1
		(559)	(1829)	(483)	(1778)	(102)	(19)	(25)

MODEL	FRAME	284TS	284T	286TS	286T	324TS	324T	326TS	326T
	C	22 (559)	24 (610)	24 (610)	25 (635)	25 (635)	26 (660)	26 (660)	28 (711)
	DM	7.00 (178)	7.00 (178)	7.00 (178)	7.00 (178)	8.00 (203)	8.00 (203)	8.00 (203)	8.00 (203)
400-128	BASE NO.	8	8	8	8	8	8	8	8
	D	8.00 (203)	8.00 (203)	8.00 (203)	8.00 (203)	8.00 (203)	8.00 (203)	8.00 (203)	8.00 (203)

MODEL	FRAME	364TS	364T	365TS	365T	404TS	404T	405TS	405T	444TS	444T	
	C	27 (686)	29 (737)	28 (711)	30 (762)	30 (762)	33 (838)	33 (838)	33 (838)	33 (838)	30 (762)	33 (838)
	DM	9.00 (229)	9.00 (229)	9.00 (229)	9.00 (229)	10.00 (254)	10.00 (254)	10.00 (254)	10.00 (254)	10.00 (254)	11.00 (279)	11.00 (279)
400-128	BASE NO.	9	9	9	9	9	9	9	9	10	10	
	D	9.00 (229)	9.00 (229)	9.00 (229)	9.00 (229)	10.00 (254)	10.00 (254)	10.00 (254)	10.00 (254)	11.00 (279)	11.00 (279)	

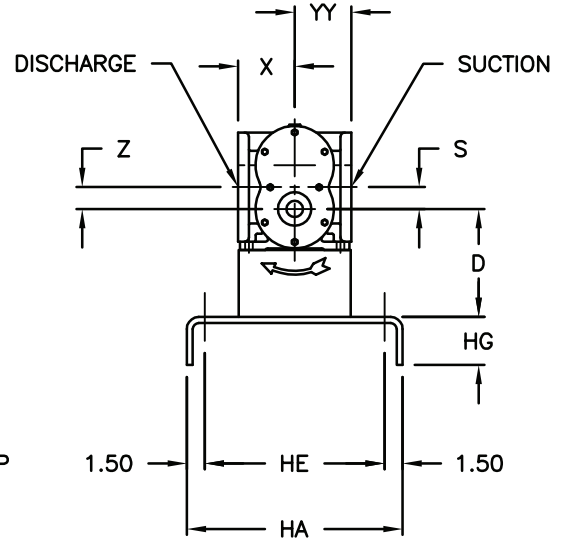
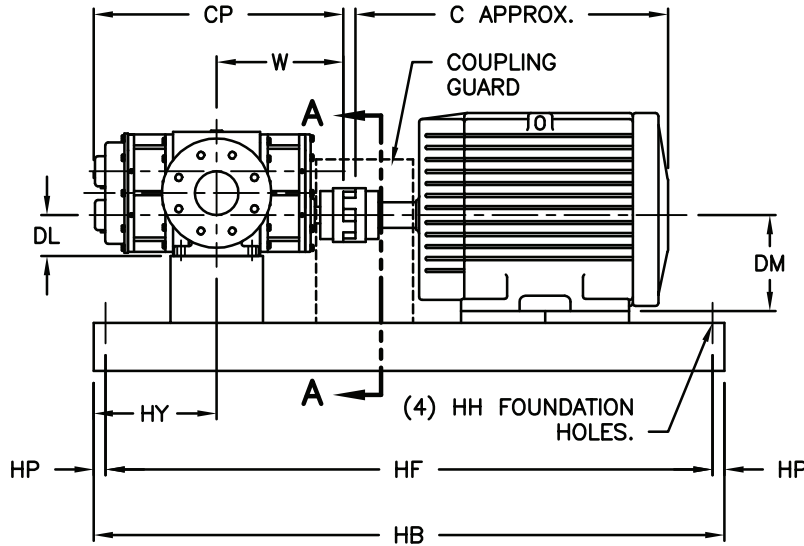
MODEL	DISCHARGE	SUCTION	CP	DP	HY	S	W	X	YY	Z
400-128	4"	4"	23.44	7.75	12.50	2.00	11.69	5.19	5.19	2.00
	300# FLG	300# FLG	(595)	(197)	(318)	(51)	(297)	(132)	(132)	(51)



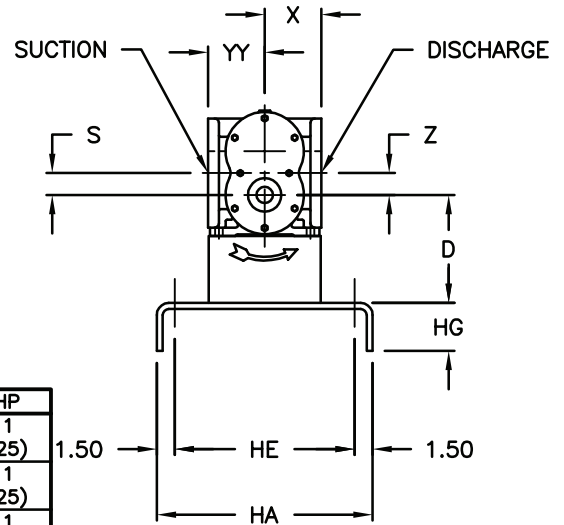
AURORA® EDWARDS SERIES

ROTARY GEAR PUMPS
ELECTRIC MOTOR DRIVEN ON STANDARD STEEL BASE
LOWER DRIVE

DATED JUNE 2011
SUPERSEDES PAGE 206.1
DATED APRIL 2009



VIEW A-A
RIGHT HAND
ROTATION



VIEW A-A
LEFT HAND
ROTATION

NOTES:

- All dimensions are in inches (mm).
- Dimensions may vary $\pm .25"$ (6).
- Not for construction purposes unless certified.
- Coupling gap may vary $.13"(3)$ to $2.06"(52)$.
- Motor dimension "CP" is approximate. Motor dimensions are not specified as they vary with each motor manufacturer.
- Discharge and suction ports are:
300# ANSI FLANGES
- Use the following notation for pump identification:
LR = LOWER SHAFT - RIGHT HAND ROTATION
LL = LOWER SHAFT - LEFT HAND ROTATION

BASE NO.	SIZE	HA	HB	HE	HF	HG	HH	HP
8	18 X 54	18 (457)	54 (1372)	15 (381)	52 (1321)	4 (102)	.75 (19)	1 (25)
9	22 X 60	22 (559)	60 (1524)	19 (483)	58 (1473)	4 (102)	.75 (19)	1 (25)
10	22 X 72	22 (559)	72 (1829)	19 (483)	70 (1778)	4 (102)	.75 (19)	1 (25)

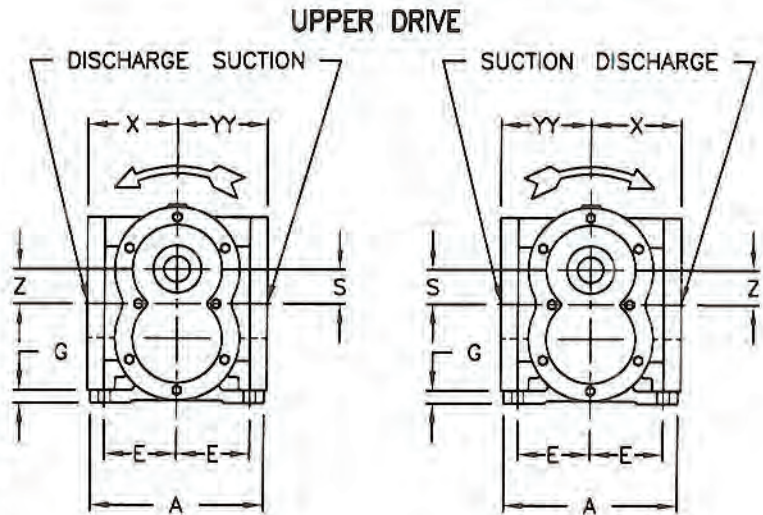
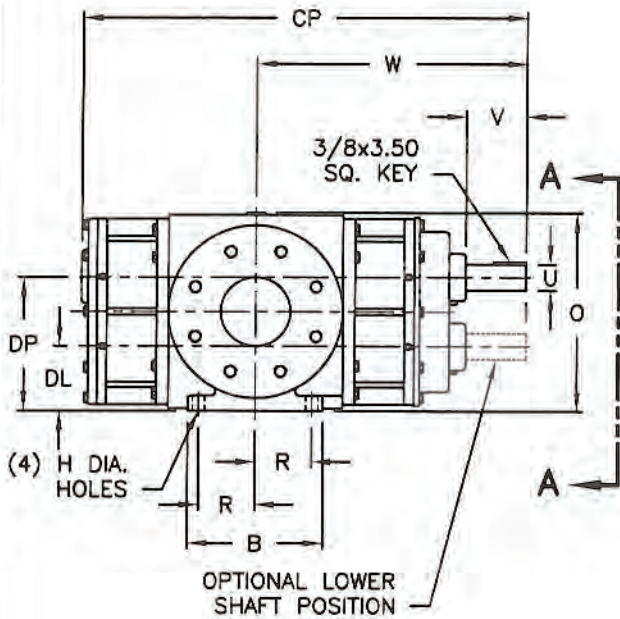
MODEL	FRAME	284TS	284T	286TS	286T	324TS	324T	326TS	326T
	C	22 (559)	24 (610)	24 (610)	25 (635)	25 (635)	26 (660)	26 (660)	26 (660)
	DM	7.00 (178)	7.00 (178)	7.00 (178)	7.00 (178)	8.00 (203)	8.00 (203)	8.00 (203)	8.00 (203)
400-128	BASE NO.	8	8	8	8	8	8	8	8
	D	7.00 (178)	7.00 (178)	7.00 (178)	7.00 (178)	8.00 (203)	8.00 (203)	8.00 (203)	8.00 (203)

MODEL	FRAME	364TS	364T	365TS	365T	404TS	404T	405TS	405T	444TS	444T
	C	27 (686)	29 (737)	28 (711)	30 (762)	30 (762)	33 (838)	33 (838)	33 (838)	33 (838)	30 (762)
	DM	9.00 (229)	9.00 (229)	9.00 (229)	9.00 (229)	10.00 (254)	10.00 (254)	10.00 (254)	10.00 (254)	11.00 (279)	11.00 (279)
400-128	BASE NO.	9	9	9	9	9	9	9	9	10	10
	D	9.00 (229)	9.00 (229)	9.00 (229)	9.00 (229)	10.00 (254)	10.00 (254)	10.00 (254)	10.00 (254)	11.00 (279)	11.00 (279)

MODEL	DISCHARGE	SUCTION	CP	DL	HY	S	W	X	YY	Z
400-128	4" FLG 300#	4" FLG 300#	23.44 (595)	3.72 (94)	12.50 (318)	2.00 (51)	11.69 (297)	5.19 (132)	5.19 (132)	2.00 (51)

ROTARY GEAR PUMPS
PUMP ONLY

DATED APRIL 2009
SUPERSEDES PAGE 207
DATED OCTOBER 2005

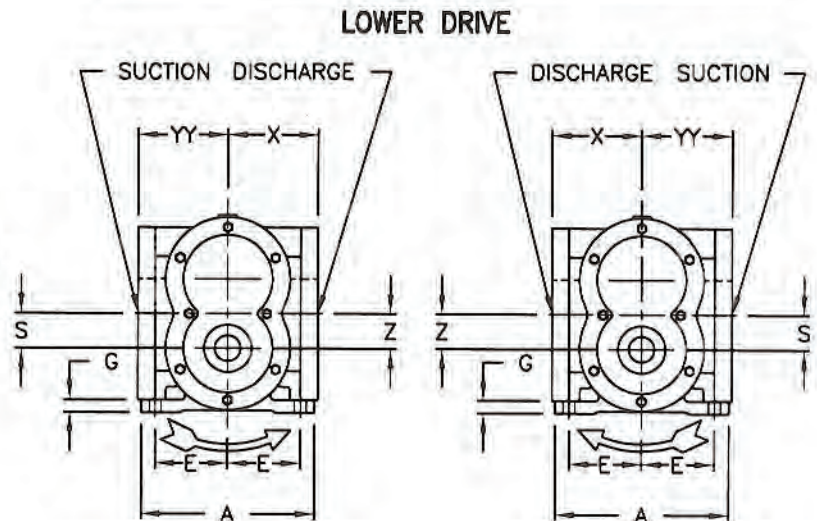


VIEW A-A
LEFT HAND
ROTATION

VIEW A-A
RIGHT HAND
ROTATION

NOTES:

- All dimensions are in inches (mm).
- Dimensions may vary $\pm 0.25"$ (6).
- Not for construction purposes unless certified.
- Discharge and suction ports are:
300# ANSI FLANGES
- Use the following notation for pump identification:
UR = UPPER SHAFT - RIGHT HAND ROTATION
UL = UPPER SHAFT - LEFT HAND ROTATION
LR = LOWER SHAFT - RIGHT HAND ROTATION
LL = LOWER SHAFT - LEFT HAND ROTATION



VIEW A-A
LEFT HAND
ROTATION

VIEW A-A
RIGHT HAND
ROTATION

MODEL	DISCHARGE	SUCTION	A	B	CP	DL	DP	E	G	H
400-144	4" 300# FLG	4" 300# FLG	10.00 (254)	7.75 (197)	27.88 (708)	3.72 (94)	7.75 (197)	4.19 (106)	.75 (19)	.69 (18)

MODEL	O	R	S	U	V	W	X	YY	Z
400-144	11.47 (291)	3.25 (83)	2.00 (51)	1.50 (38)	3.50 (89)	15.63 (397)	5.19 (132)	5.19 (132)	2.00 (51)



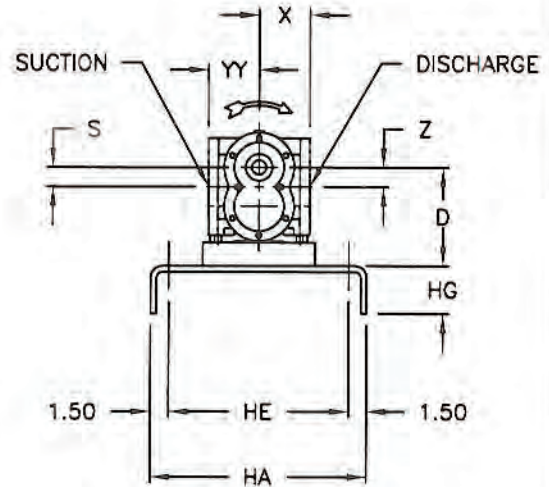
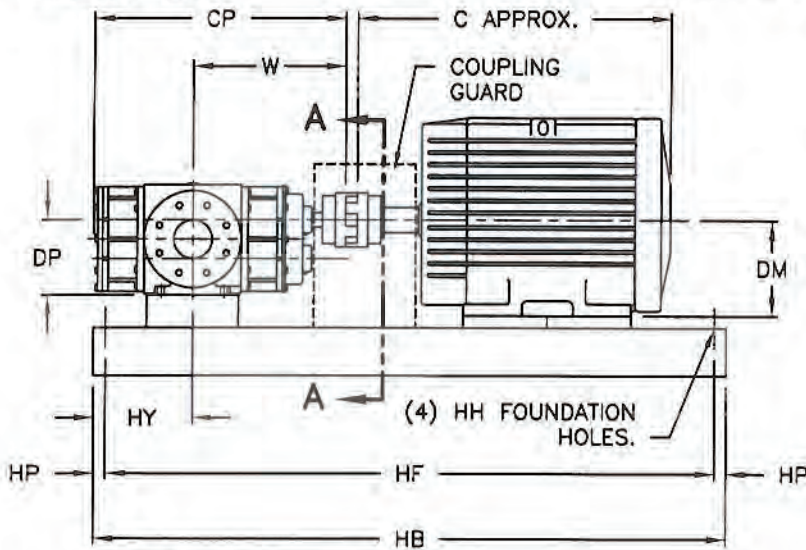
PENTAIR

AURORA® EDWARDS SERIES

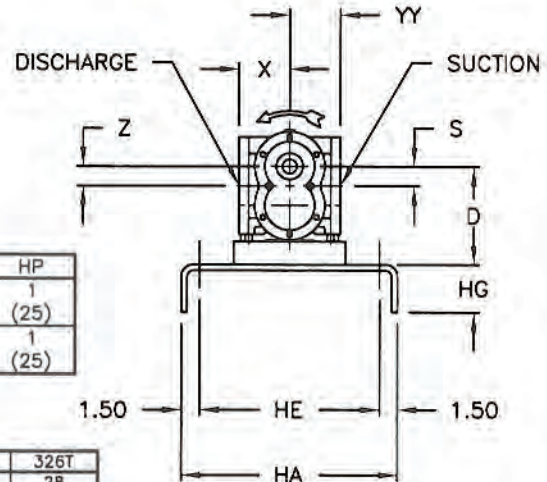
SECTION 400 PAGE 208 — EDWARDS MODEL 400-144 PUMPS

DATED APRIL 2009
 SUPERSEDES PAGE 208
 DATED MAY 2005

ROTARY GEAR PUMPS
 ELECTRIC MOTOR DRIVEN ON STANDARD STEEL BASE
 UPPER DRIVE



VIEW A-A
 RIGHT HAND
 ROTATION



VIEW A-A
 LEFT HAND
 ROTATION

NOTES:

- All dimensions are in inches (mm).
- Dimensions may vary $\pm .25"$ (6).
- Not for construction purposes unless certified.
- Coupling gap may vary .13"(3) to 2.06"(52).
- Motor dimension "CP" is approximate. Motor dimensions are not specified as they vary with each motor manufacturer.
- Discharge and suction ports are:
300# ANSI FLANGES
- Use the following notation for pump identification:
UR = UPPER SHAFT - RIGHT HAND ROTATION
UL = UPPER SHAFT - LEFT HAND ROTATION

BASE NO.	SIZE	HA	HB	HE	HF	HG	HH	HP
9	22 X 60	22 (559)	60 (1524)	19 (483)	58 (1473)	4 (102)	.75 (19)	1 (25)
10	22 X 72	22 (559)	72 (1829)	19 (483)	70 (1778)	4 (102)	.75 (19)	1 (25)

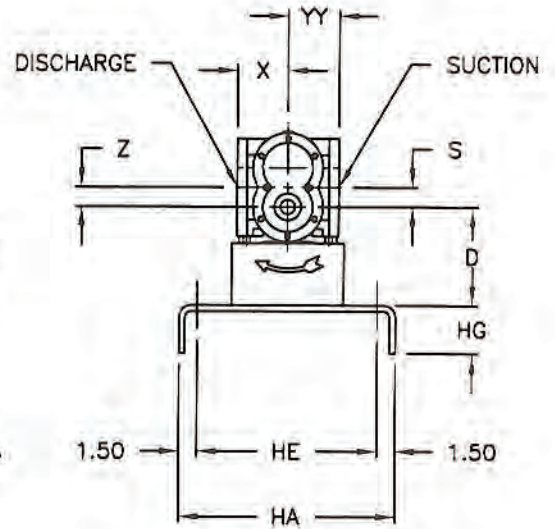
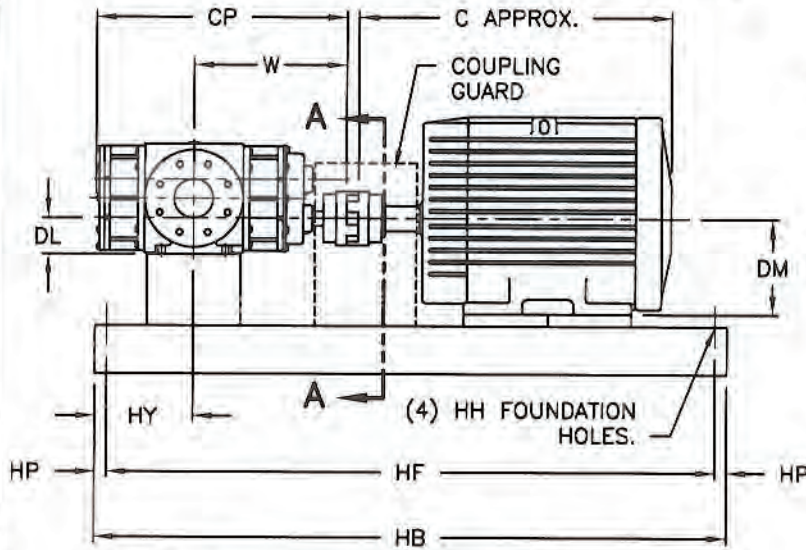
MODEL	FRAME	284TS	284T	286TS	286T	324TS	324T	326TS	326T
	C	22 (559)	24 (610)	24 (610)	25 (635)	25 (635)	26 (660)	26 (660)	26 (660)
	DM	7.00 (178)	7.00 (178)	7.00 (178)	7.00 (178)	8.00 (203)	8.00 (203)	8.00 (203)	8.00 (203)
400-144	BASE NO.	9	9	9	9	9	9	9	9
	D	8.00 (203)	8.00 (203)	8.00 (203)	8.00 (203)	8.00 (203)	8.00 (203)	8.00 (203)	8.00 (203)

MODEL	FRAME	364TS	364T	365TS	365T	404TS	404T	405TS	405T	444TS	444T
	C	27 (686)	29 (737)	28 (711)	30 (762)	30 (762)	33 (838)	33 (838)	33 (838)	33 (838)	30 (762)
	DM	9.00 (229)	9.00 (229)	9.00 (229)	9.00 (229)	10.00 (254)	10.00 (254)	10.00 (254)	10.00 (254)	11.00 (279)	11.00 (279)
400-144	BASE NO.	9	9	9	9	10	10	10	10	10	10
	D	9.00 (229)	9.00 (229)	9.00 (229)	9.00 (229)	10.00 (254)	10.00 (254)	10.00 (254)	10.00 (254)	11.00 (279)	11.00 (279)

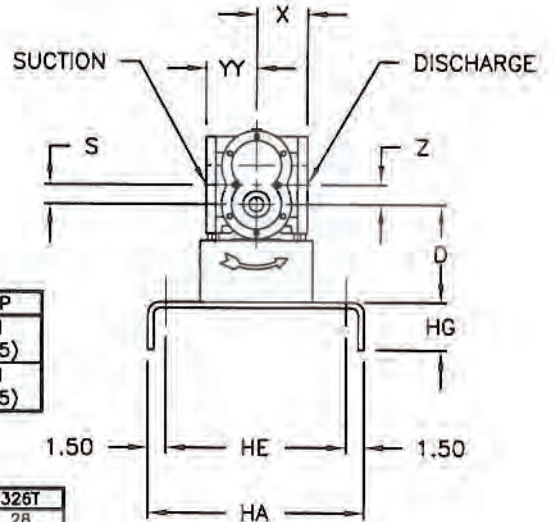
MODEL	DISCHARGE	SUCTION	CP	DP	HY	S	W	X	YY	Z
400-144	4" 300# FLG	4" 300# FLG	27.88 (708)	7.75 (197)	12.50 (318)	2.00 (51)	15.63 (397)	5.19 (132)	5.19 (132)	2.00 (51)

ROTARY GEAR PUMPS
ELECTRIC MOTOR DRIVEN ON STANDARD STEEL BASE
LOWER DRIVE

DATED APRIL 2009
SUPERSEDES PAGE -
DATED -



VIEW A-A
RIGHT HAND
ROTATION



VIEW A-A
LEFT HAND
ROTATION

NOTES:

- All dimensions are in inches (mm).
- Dimensions may vary $\pm .25"$ (6).
- Not for construction purposes unless certified.
- Coupling gap may vary $.13"$ (3) to $2.06"$ (52).
- Motor dimension "CP" is approximate. Motor dimensions are not specified as they vary with each motor manufacturer.
- Discharge and suction ports are:
300# ANSI FLANGES
- Use the following notation for pump identification:
LR = LOWER SHAFT - RIGHT HAND ROTATION
LL = LOWER SHAFT - LEFT HAND ROTATION

BASE NO.	SIZE	HA	HB	HE	HF	HG	HH	HP
9	22 X 60	22 (559)	60 (1524)	19 (483)	58 (1473)	4 (102)	.75 (19)	1 (25)
10	22 X 72	22 (559)	72 (1829)	19 (483)	70 (1778)	4 (102)	.75 (19)	1 (25)

MODEL	FRAME	284TS	284T	286TS	286T	324TS	324T	326TS	326T
	C	22 (559)	24 (610)	24 (610)	25 (635)	25 (635)	26 (660)	26 (660)	28 (711)
	DM	7.00 (178)	7.00 (178)	7.00 (178)	7.00 (178)	8.00 (203)	8.00 (203)	8.00 (203)	8.00 (203)
400-144	BASE NO.	9	9	9	9	9	9	9	9
	D	7.00 (178)	7.00 (178)	7.00 (178)	7.00 (178)	8.00 (203)	8.00 (203)	8.00 (203)	8.00 (203)

MODEL	FRAME	364TS	364T	365TS	365T	404TS	404T	405TS	405T	444TS	444T
	C	27 (686)	29 (737)	28 (711)	30 (762)	30 (762)	33 (838)	33 (838)	33 (838)	33 (838)	30 (762)
	DM	9.00 (229)	9.00 (229)	9.00 (229)	9.00 (229)	10.00 (254)	10.00 (254)	10.00 (254)	10.00 (254)	11.00 (279)	11.00 (279)
400-144	BASE NO.	9	9	9	9	10	10	10	10	10	10
	D	9.00 (229)	9.00 (229)	9.00 (229)	9.00 (229)	10.00 (254)	10.00 (254)	10.00 (254)	10.00 (254)	11.00 (279)	11.00 (279)

MODEL	DISCHARGE	SUCTION	CP	DL	HY	S	W	X	YY	Z
400-144	4" 300# FLG	4" 300# FLG	27.88 (708)	3.72 (94)	12.50 (318)	2.00 (51)	15.63 (397)	5.19 (132)	5.19 (132)	2.00 (51)